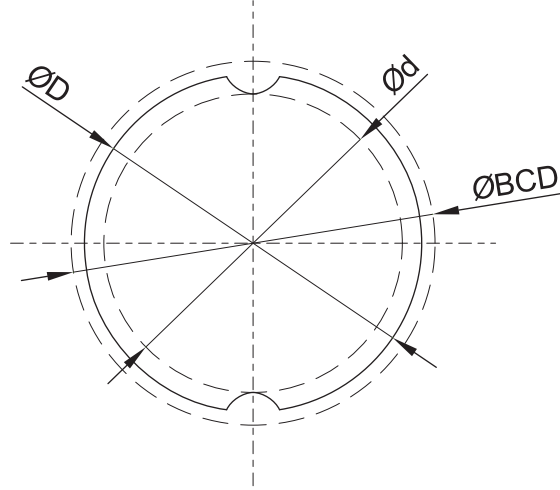


SOF, SOT Spline Shaft Cross-Sectional Shape

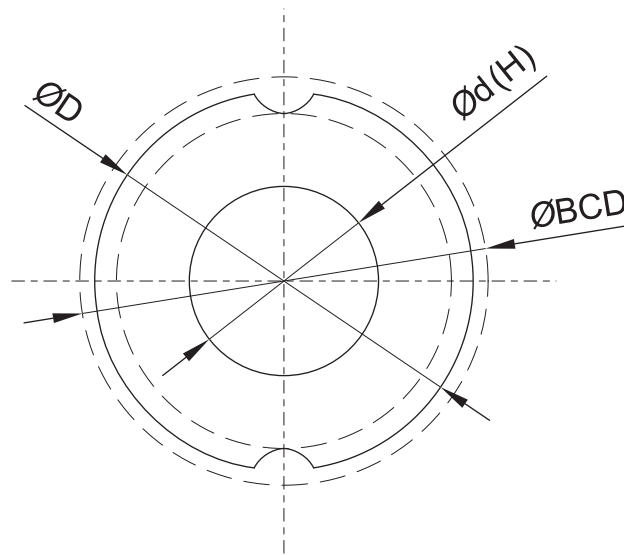


Solid Spline Shaft

Table 3.2.1 Solid Spline Shaft Cross-Sectional Shape Unit : mm

Nominal Diameter	8	10	12	15	20	25
Stats						
Inner Diameter Ød	7	8.9	10.9	11.6	15.7	19.4
Outer Diameter ØD h7	8	10	12	13.6	18.2	22.6
Mass(kg/m)	0.39	0.605	0.875	1.11	2.02	3.1
Ball Center ØBCD	9.3	11.6	13.6	15	20	25
Tolerance μ m	0 -15	0 -18	0 -18	0 -18	0 -21	0 -21





Hollow Spline Shaft

Table 3.2.2 Hollow Spline Shaft Cross-Sectional Shape Unit : mm

Nominal Diameter \ Stats	8	10	12
Inner Diameter $\text{Ø}d$	3	4	6
Outer Diameter $\text{Ø}D$ h7	8	10	12
Mass(kg/m)	0.33	0.51	0.66
Ball Center $\text{Ø}BCD$	9.3	11.6	13.6
Tolerance μm	0 -15	0 -18	0 -18

